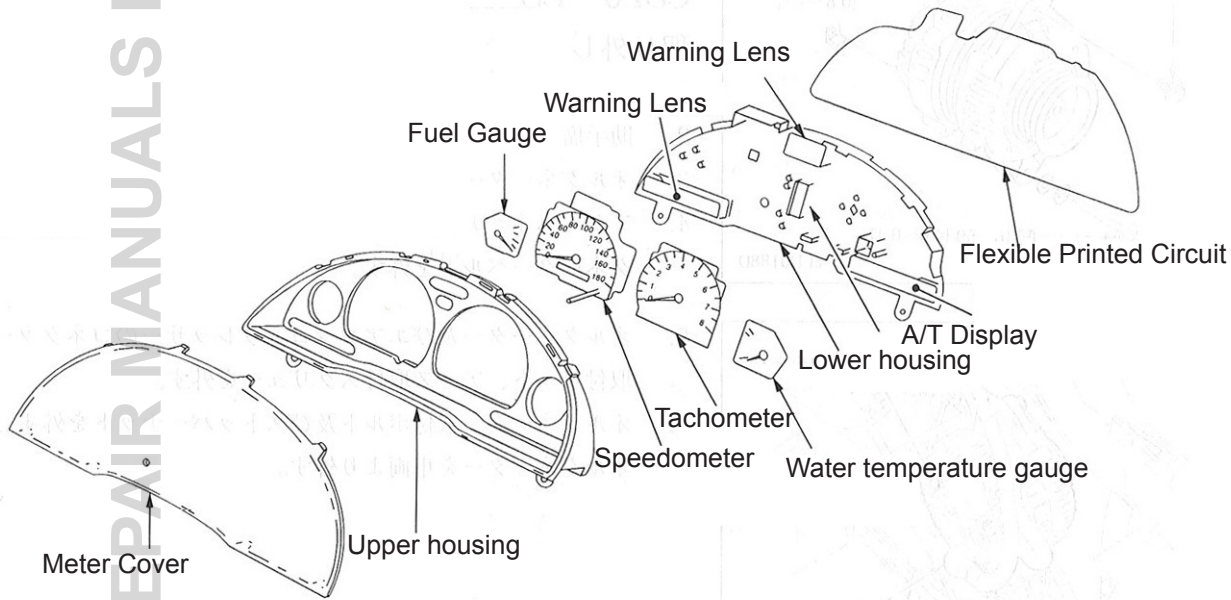


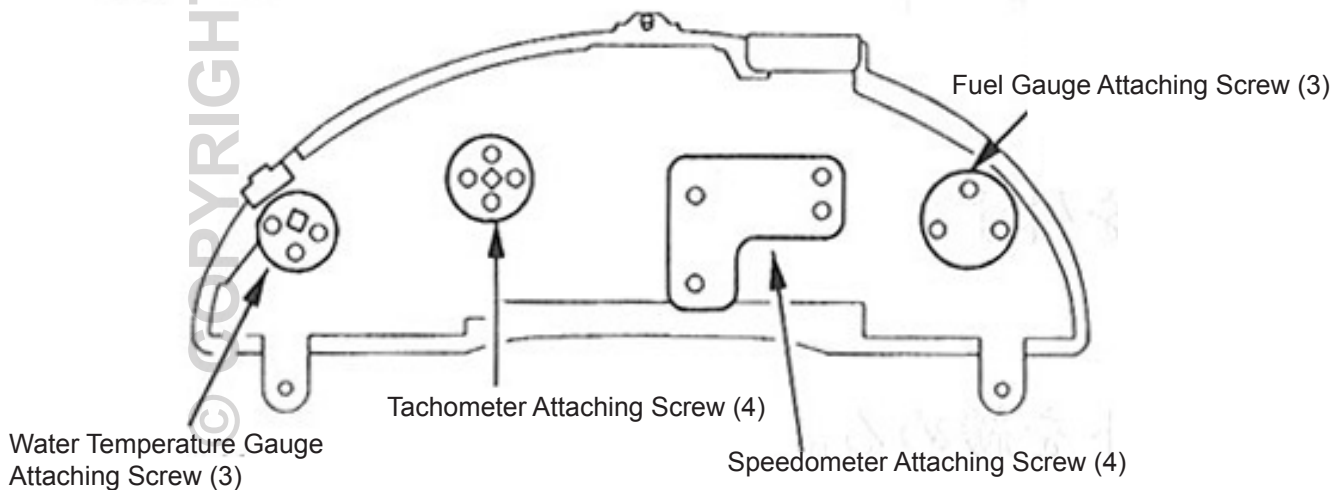
# Speedometer

C23 CD20T

## Disassembly / Assembly



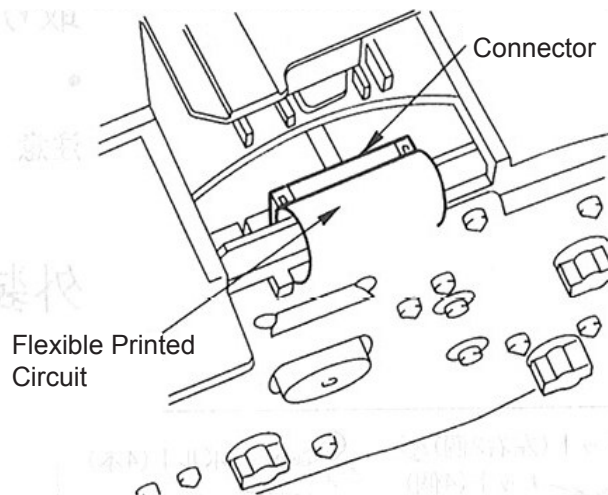
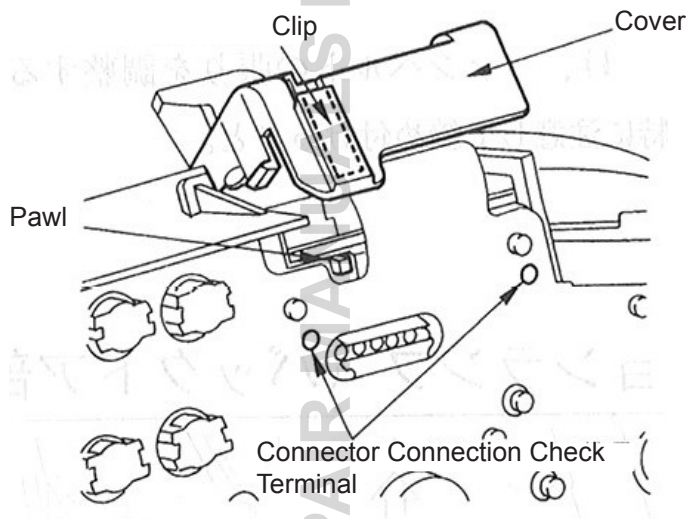
### Back side



## Speedometer

C23 CD20T

### Flexible Printed Circuit



### Removal

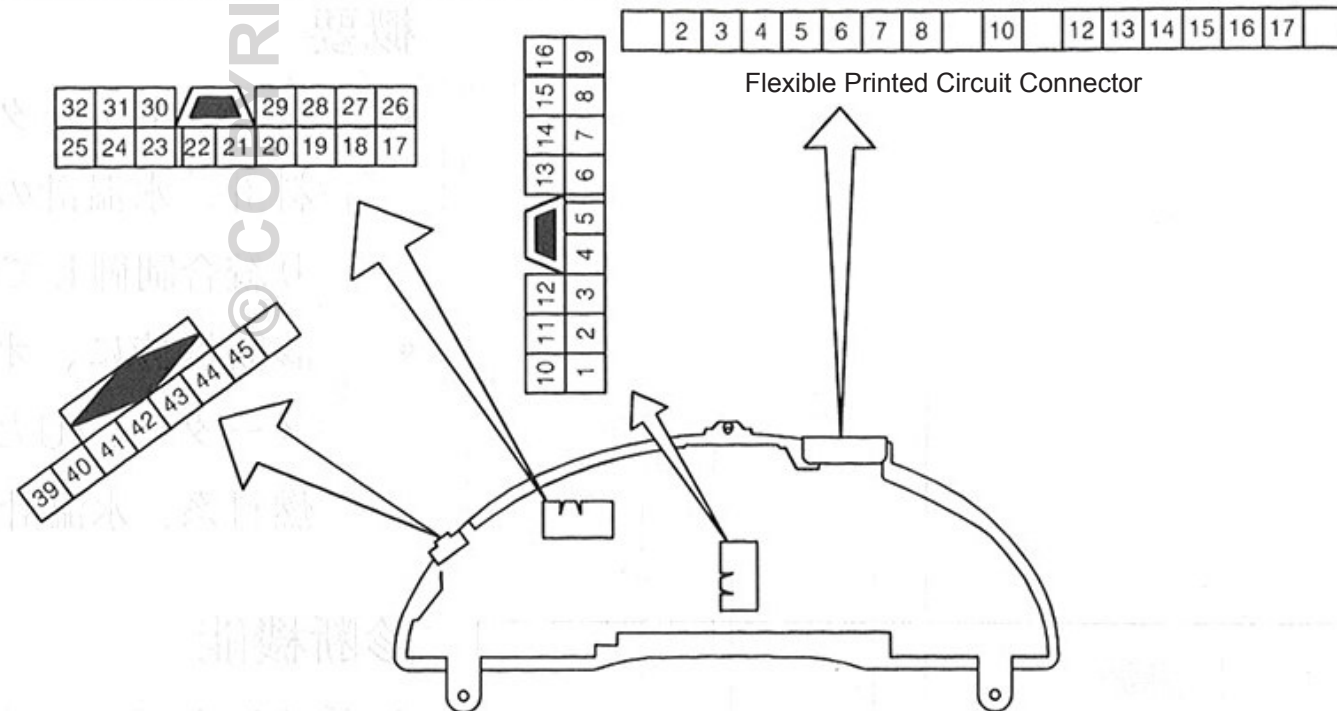
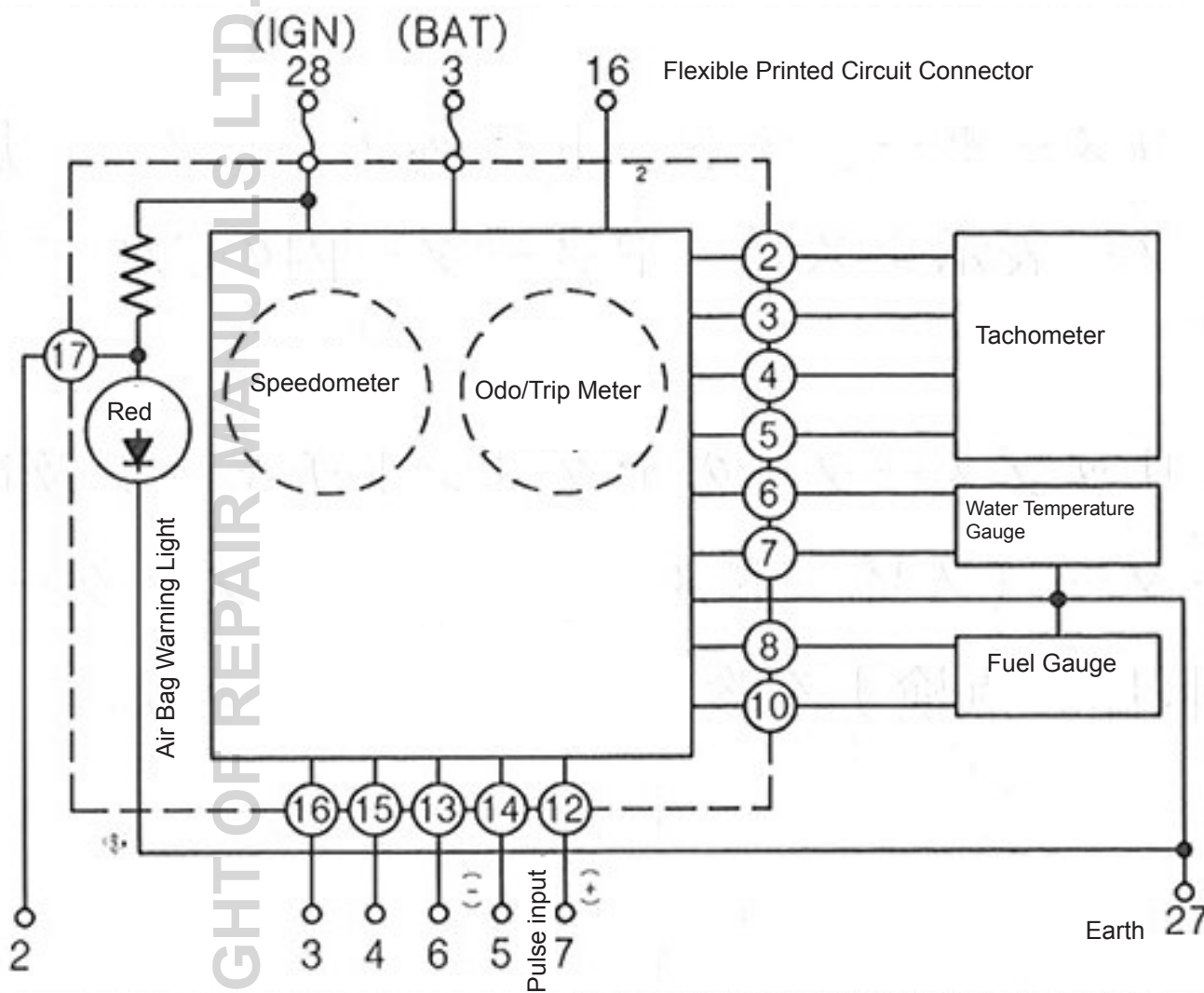
1. Open the cover.
2. Hold both ends of the connector and remove it.
3. Remove the flexible printed circuit from the connector.

### Installation

1. Install the flexible printed circuit to the connector and push the connector down.
2. Make sure the flexible printed circuit is installed securely.
3. Check for air flow between the ports.
4. Close the cover.

## Speedometer

C23 CD20T



## Speedometer

C23 CD20T

